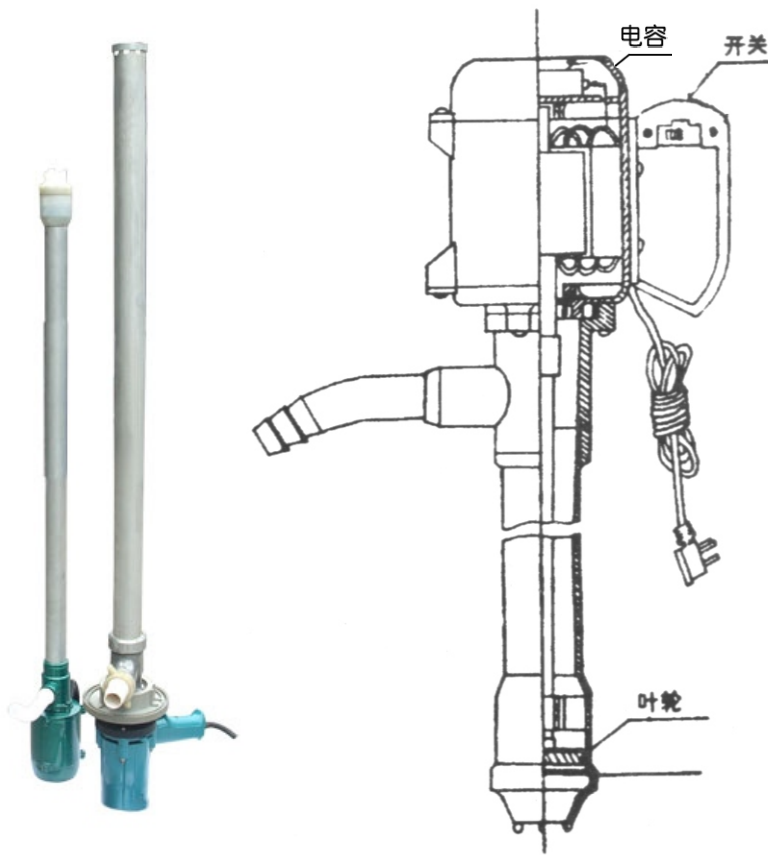


Portable electronic oil drum pump



Technical Data

- 1、 Have single mutually alternate current motive
- 2、 Voltage:220V
- 3、 Power: 120W
- 4、 Capacity :80 L/M
- 5、 Lift:4m
- 6、 Weight:3.8 Kg